

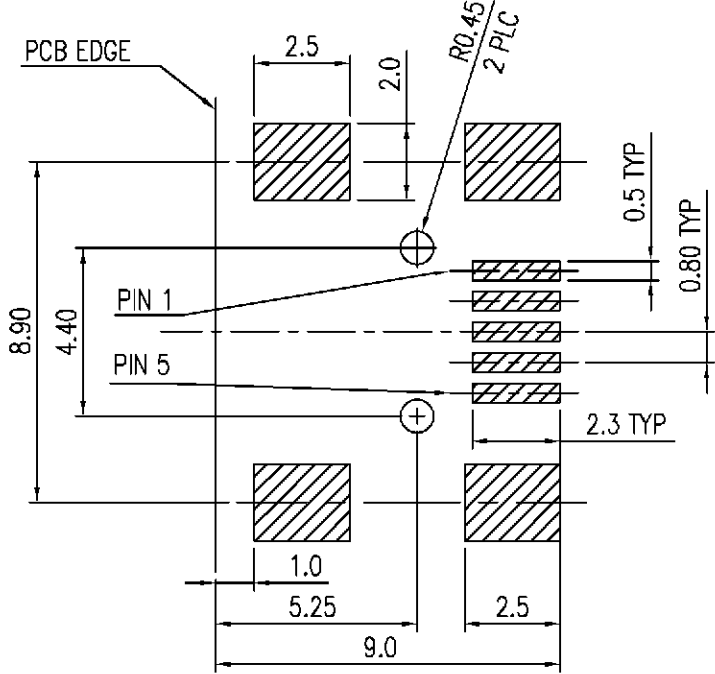
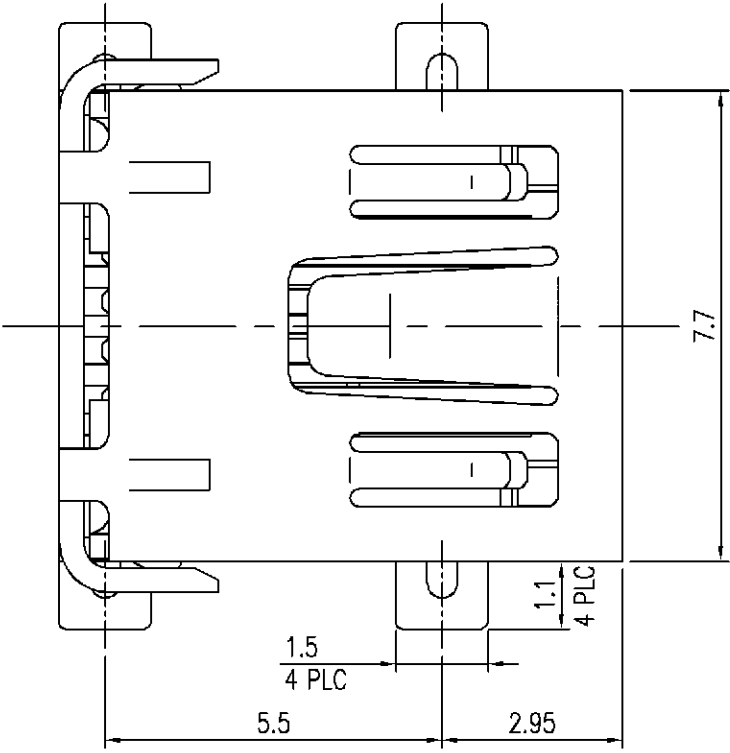
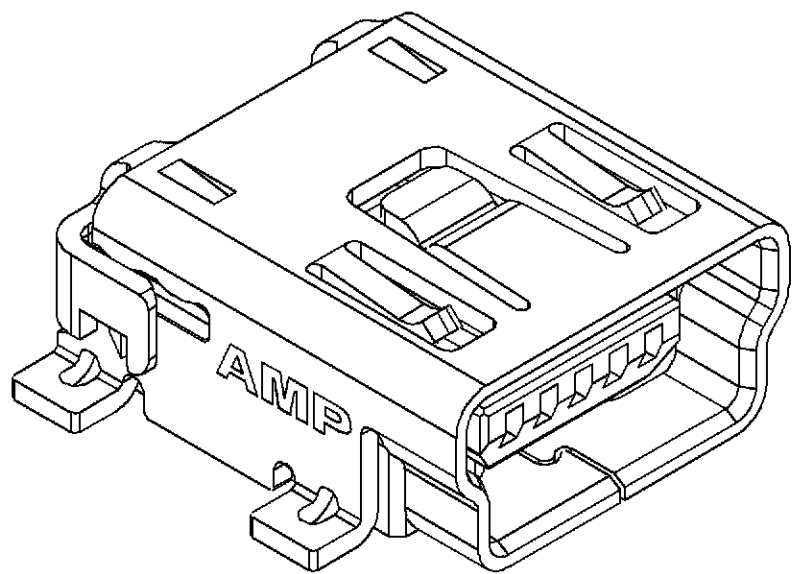
NUMBER
C-440247

3RD ANGLE PROJECTION

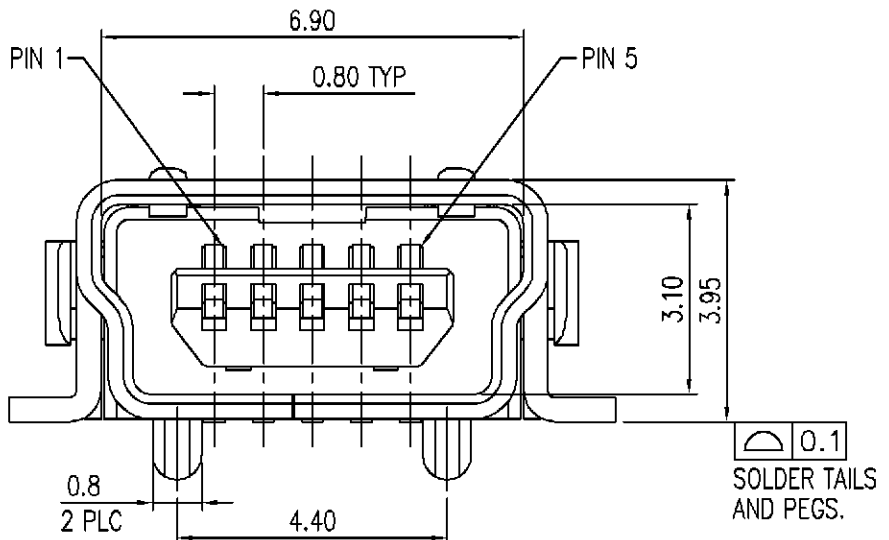
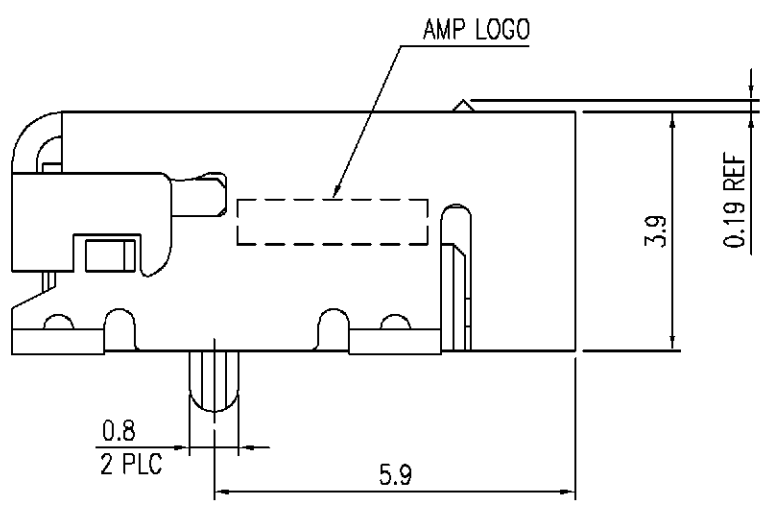
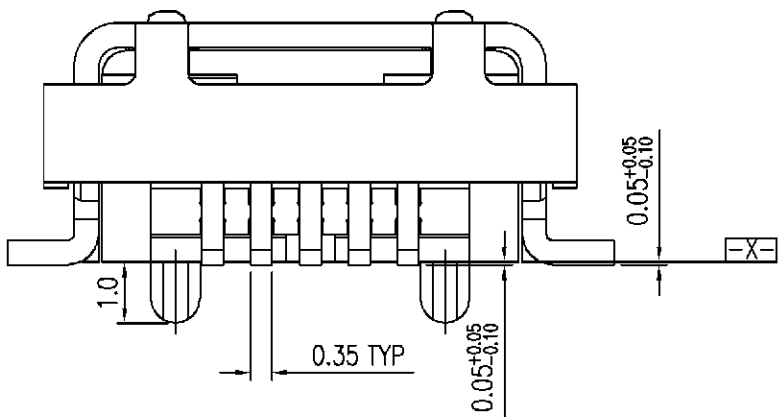
METRIC

THIS INFORMATION IS CONFIDENTIAL AND IS DISCLOSED TO YOU ON CONDITION THAT NO FURTHER DISCLOSURE IS MADE BY YOU TO OTHER THAN AMP PERSONNEL WITHOUT WRITTEN AUTHORIZATION FROM AMP (TAIWAN) LTD. DIMENSION IN MILLIMETERS. DO NOT SCALE PRINT.

PRINT
DW



RECOMMENDED PCB LAYOUT (MOUNTING SIDE)
THICKNESS 1.57mm



- NOTE:
- MATERIAL:
HOUSING: HIGH TEMPERATURE THERMOPLASTIC UL 94V-0, COLOR: BLACK.
CONTACT: PHOSPHOR BRONZE.
SHELL: PHOSPHOR BRONZE.
 - FINISH:
CONTACT: 30u" MIN. GOLD PLATED IN CONTACT AREA, 100u" MIN. TIN-LEAD TIN ON SOLDER TAILS, 50u" MIN. NICKEL UNDERPLATED ALL OVER.
SHELL: 100u" MIN. HALF-BRIGHT TIN OVER 100u" MIN. Cu UNDERPLATED.

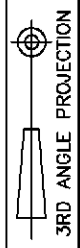
W/	W/O	TAPE REEL	W/	440247-4
W/O	W/	TAPE REEL	W/	440247-3
W/O	W/O	TAPE REEL	W/	440247-2
W/O	N/A	TRAY	W/	440247-1
MYLAR	LONG CARRIER & COVER TAPE	PACKAGE	POST	PART NUMBER

DIMENSION :		DWN	O. HU	 TYCO HOLDINGS (BERMUDA) VII LTD. TAIWAN BRANCH
0 PLC ±0.38		27-JUN-2003		
1 PLC ±0.25		CHK	A. WU	NAME
2 PLC ±0.13		27-JUN-2003		
3 PLC ±0.05		MATERIAL	APVD	MINI USB RIGHT ANGLE, SMT, B TYPE
ANGLES ±3'		J. CHENG 27-JUN-2003		
SEE NOTE		PRODUCT SPEC 108-57062		LOC SIZE DRAWING NO REV DW A ₃ C-440247 D
SEE NOTE		APPLICATION SPEC		
D ADD P/N FOR PACKAGE FZ00-0149-03 OH AW 04JUL 2003		WEIGHT		SCALE
LTR REVISION RECORD ECN DWN CHK DATE				SHEET 1 OF 4

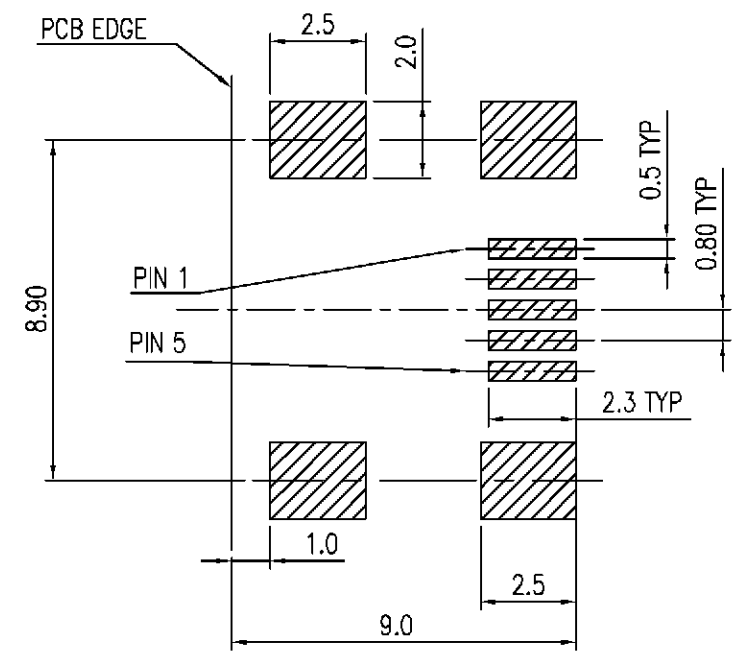
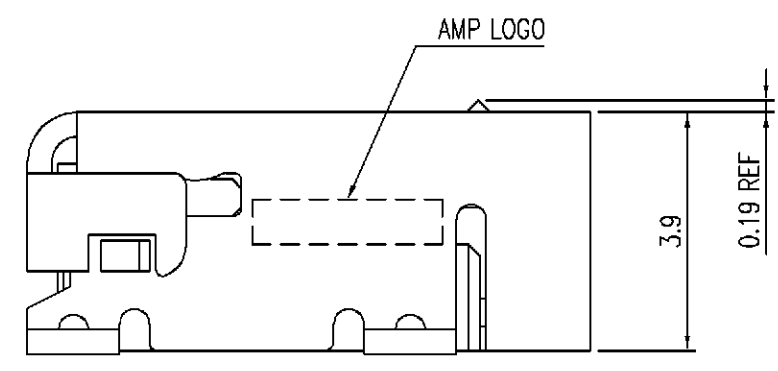
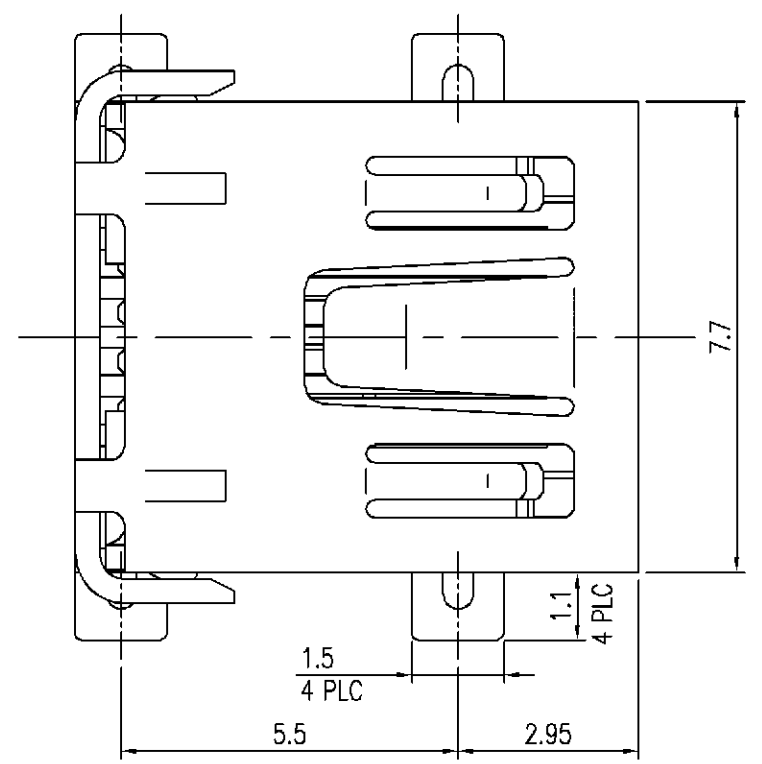
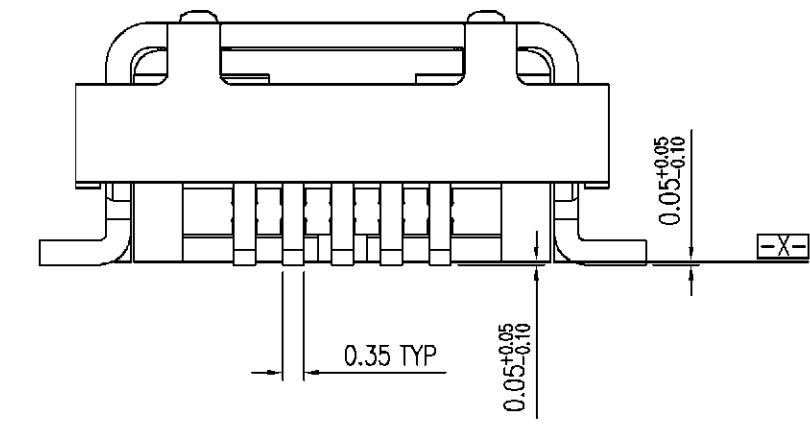
THIS INFORMATION IS CONFIDENTIAL AND IS DISCLOSED TO YOU ON CONDITION THAT NO FURTHER DISCLOSURE IS MADE BY YOU TO OTHER THAN AMP PERSONNEL WITHOUT WRITTEN AUTHORIZATION FROM AMP (TAIWAN) LTD. DIMENSION IN MILLIMETERS. DO NOT SCALE PRINT.

PRINT DIST
DW

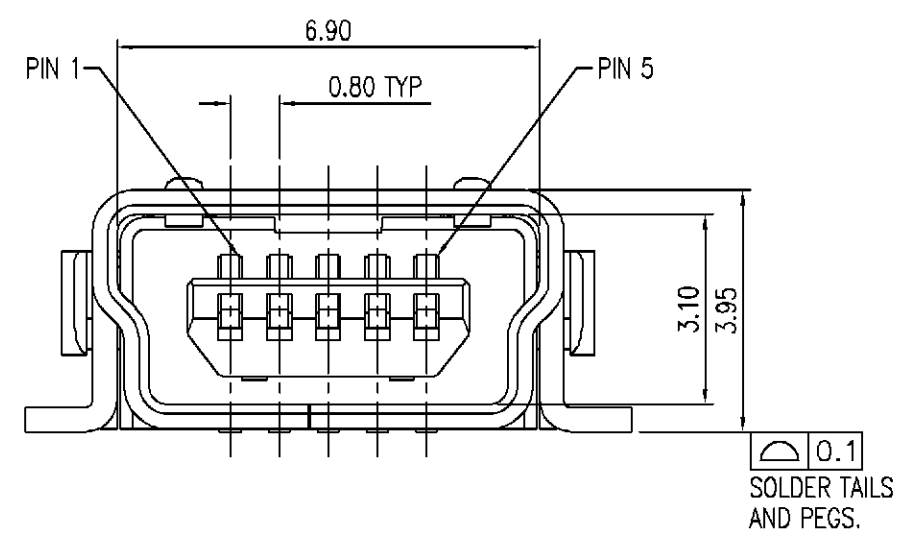
METRIC



NUMBER
C-440247



RECOMMENDED PCB LAYOUT (MOUNTING SIDE)
THICKNESS 1.57mm

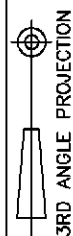


W/O	W/	TAPE REEL	W/O	1-440247-3
	W/O	TAPE REEL	W/O	1-440247-2
	N/A	TRAY	W/O	1-440247-1
MYLAR	LONG CARRIER & COVER TAPE	PACKAGE	POST	PART NUMBER

DIMENSION :	DWN	O. HU	TYCO HOLDINGS (BERMUDA) VII LTD. TAIWAN BRANCH	
	1 PLC ±0.38	27-JUN-2003		
2 PLC ±0.25	APVD		J. CHENG	MINI USB RIGHT ANGLE, SMT, B TYPE
3 PLC ±0.13	PRODUCT SPEC		27-JUN-2003	
ANGLES ±3'	FINISH		108-57062	
SEE SHEET 1.		APPLICATION SPEC		LOC DW
SEE SHEET 1.		WEIGHT		SIZE A₃
				DRAWING NO C-440247
				REV D
				SCALE --
				SHEET 2 OF 4

LTR	SEE SHEET 1.	ECN	DWN	CHK	DATE
	REVISION RECORD				

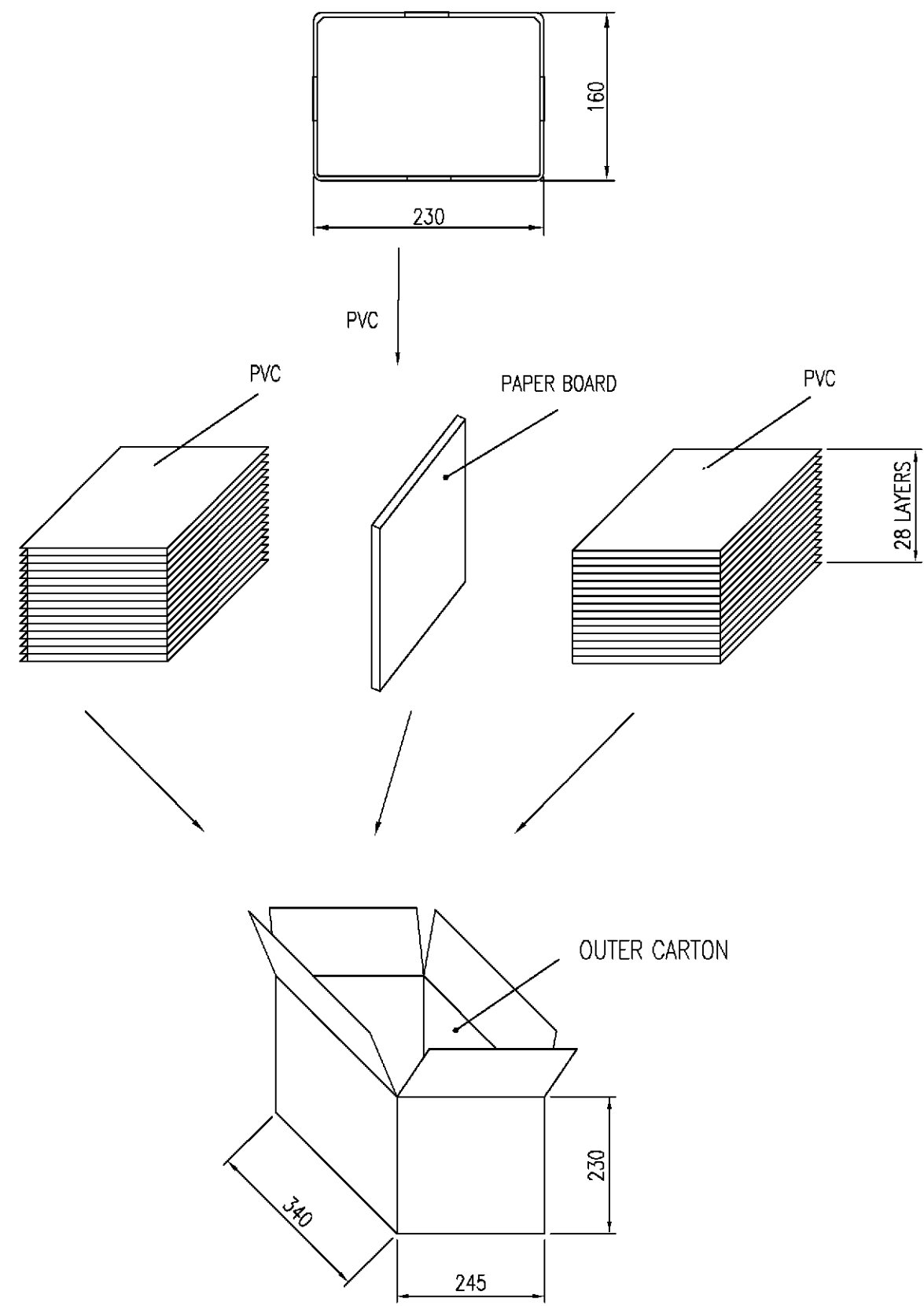
NUMBER
C-440247



METRIC

THIS INFORMATION IS CONFIDENTIAL AND IS DISCLOSED TO YOU ON CONDITION THAT NO FURTHER DISCLOSURE IS MADE BY YOU TO OTHER THAN AMP PERSONNEL WITHOUT WRITTEN AUTHORIZATION FROM AMP (TAIWAN) LTD. DIMENSION IN MILLIMETERS. DO NOT SCALE PRINT.

PRINT
DW



9.2	6.7	8400 (56 TRAY)	150	1-440247-1
G.W(KGS)			N.W(KGS)	440247-1
PACKAGING QTY' / CARTON			PCS/TRAY	PART NUMBER

DIMENSION :		DWN	O. HU	TYCO HOLDINGS (BERMUDA) VII LTD. TAIWAN BRANCH	
0 PLC ±		27-JUN-2003	27-JUN-2003		
1 PLC ±		CHK	A. WU	NAME	
2 PLC ±		27-JUN-2003	27-JUN-2003		
3 PLC ±		APVD		MINI USB RIGHT ANGLE, SMT, B TYPE	
ANGLES ±		J. CHENG			
MATERIAL		27-JUN-2003		PRODUCT SPEC	
-		-		-	
FINISH		APPLICATION SPEC		LOC	SIZE
-		-		DW	A ₃
WEIGHT		SCALE		DRAWING NO	REV
-		--		C-440247	D
				SHEET	
				3 OF 4	

SEE SHEET 1.	ECN	DWN	CHK	DATE
LTR	REVISION RECORD			

NUMBER
C-440247

METRIC
3RD ANGLE PROJECTION

METRIC

THIS INFORMATION IS CONFIDENTIAL AND IS DISCLOSED TO YOU ON CONDITION THAT NO FURTHER DISCLOSURE IS MADE BY YOU TO OTHER THAN AMP PERSONNEL WITHOUT WRITTEN AUTHORIZATION FROM AMP (TAIWAN) LTD. DIMENSION IN MILLIMETERS. DO NOT SCALE PRINT.

PRINT
DW

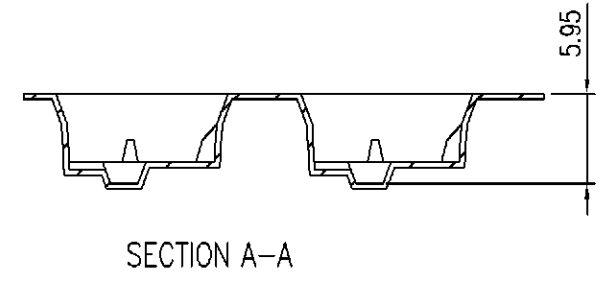
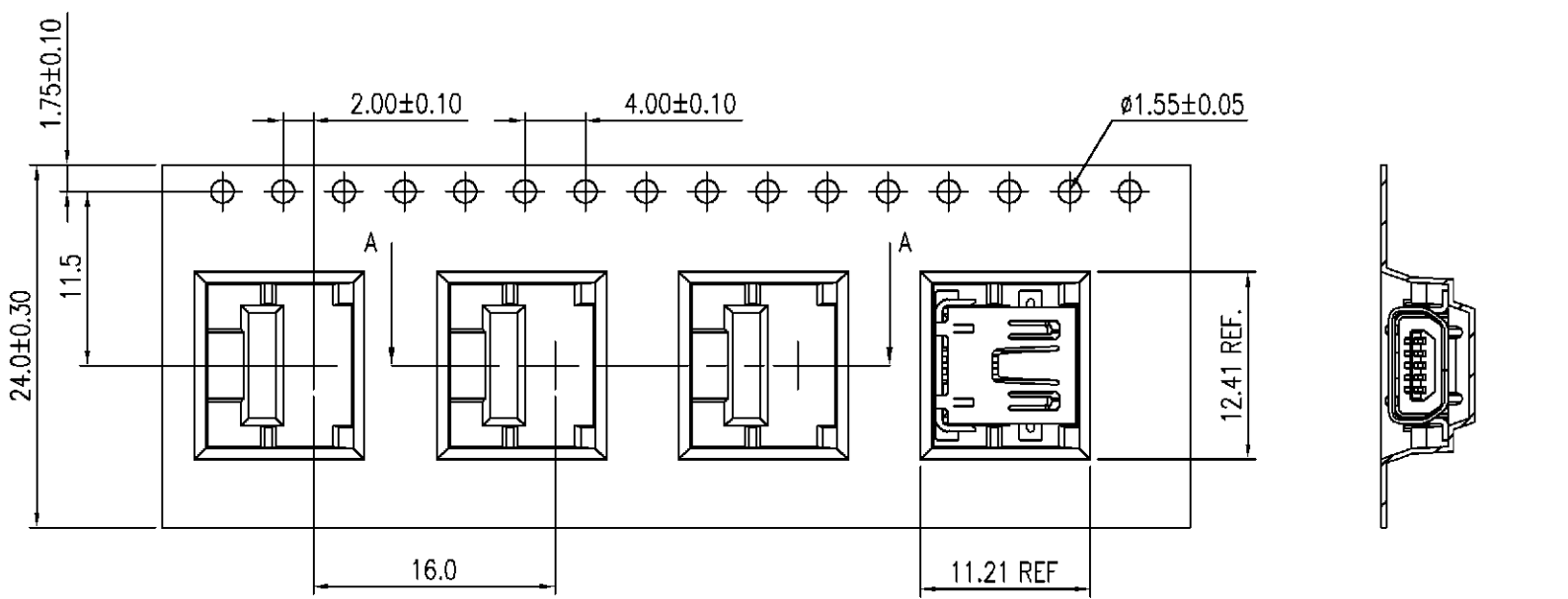
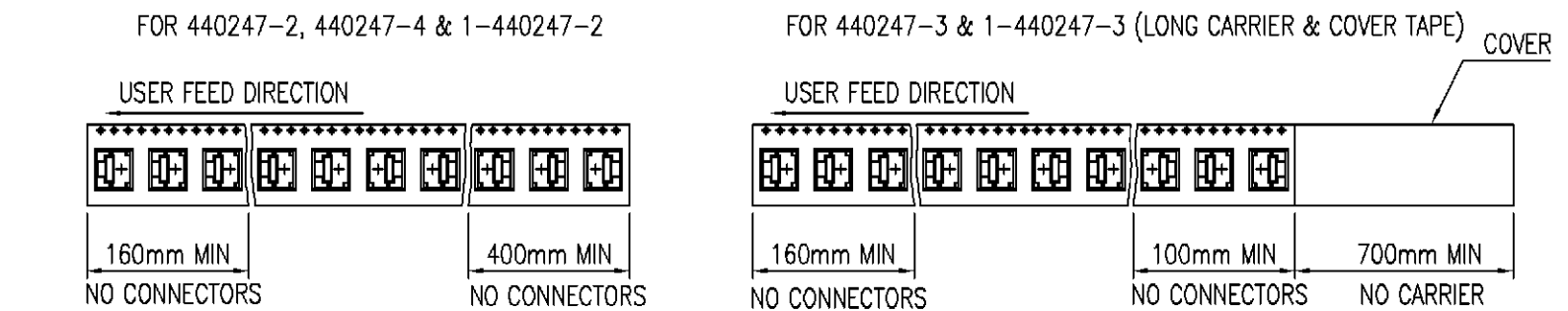
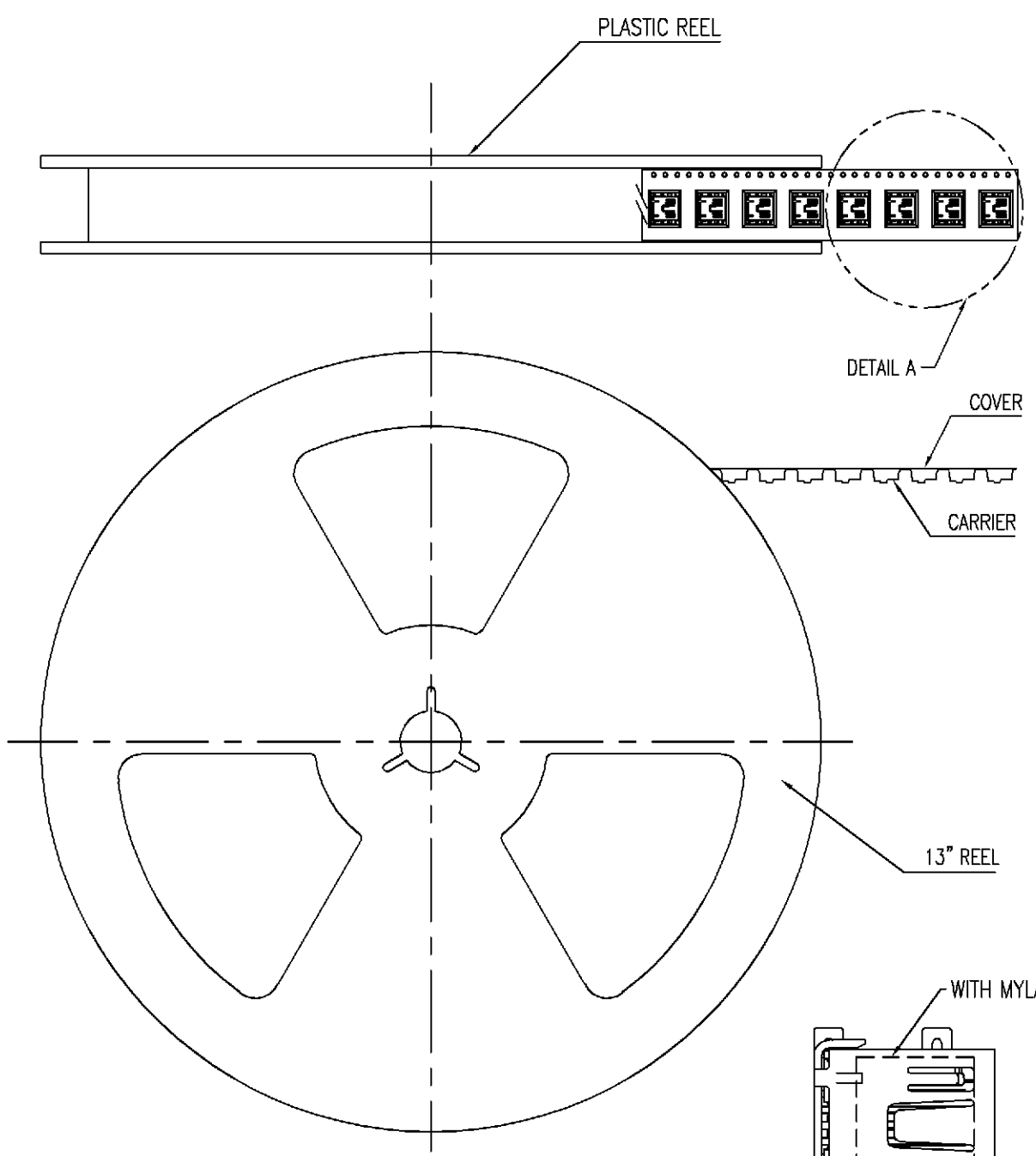
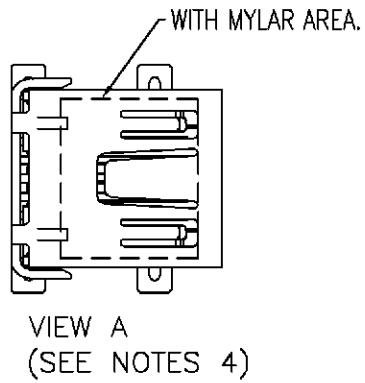
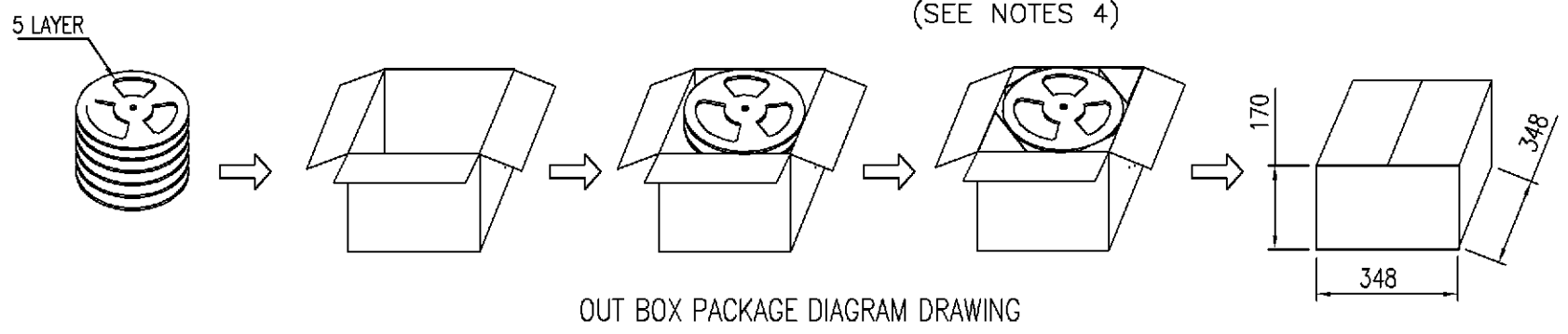


FIGURE E



- NOTES:
1. APPLICABLE DOCUMENT : EIA-481-2
 2. PACKAGE: 700 PCS/REEL , 5 REEL/BOX
W.G. : 6.5Kg , N.G. : 5.5Kg
 3. QUANTITY: 3500 PCS.
 4. VIEW SHOW THE MYLAR AREA FOR P/N 440247-4



W/O	W/	1-440247-3
W/O	W/O	1-440247-2
W/	W/O	440247-4
W/O	W/	440247-3
W/O	W/O	440247-2
MYLAR	LONG CARRIER & COVER TAPE	PART NUMBER

DIMENSION : 0 PLC ± 1 PLC ± 2 PLC ± 3 PLC ± ANGLES ±	DWN	O. HU 27-JUN-2003	 TYCO HOLDINGS (BERMUDA) VII LTD. TAIWAN BRANCH			
	CHK	A. WU 27-JUN-2003				
MATERIAL	APVD	J. CHENG 27-JUN-2003	MINI USB RIGHT ANGLE, SMT, B TYPE			
	PRODUCT SPEC	-				
FINISH	APPLICATION SPEC	-	LOC	SIZE	DRAWING NO	REV
	WEIGHT	-	DW	A ₃	C-440247	D
			SCALE	SHEET		
					4 OF 4	

SEE SHEET 1.			
LTR	REVISION RECORD	ECN	DWN CHK DATE